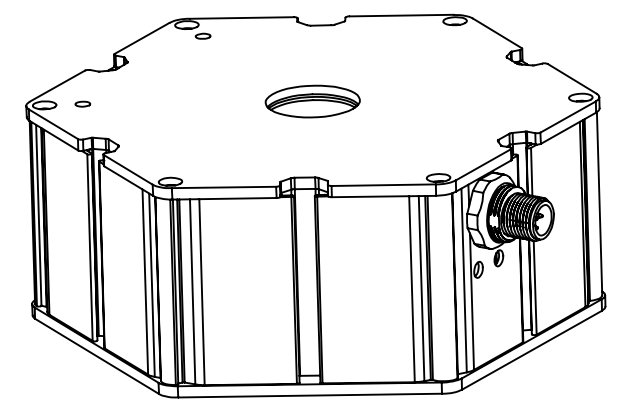
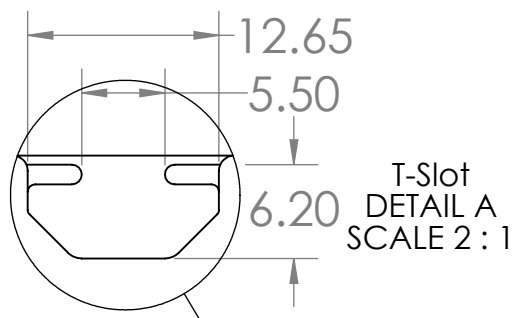


4

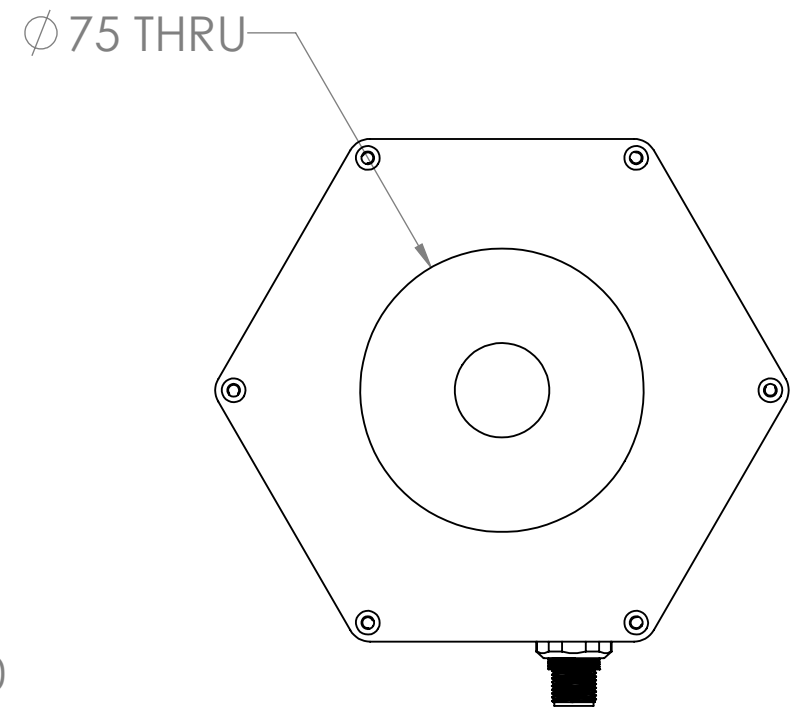
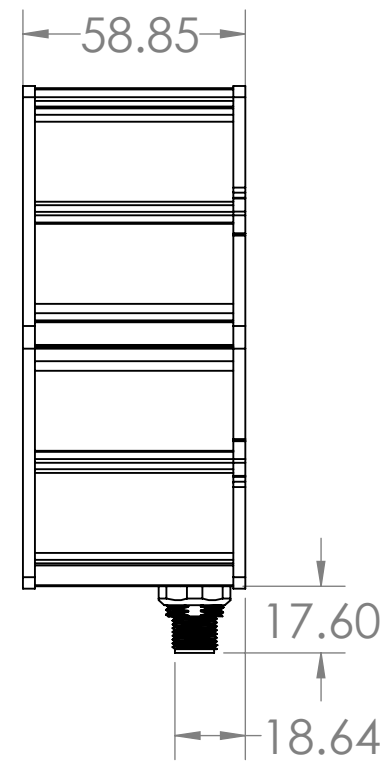
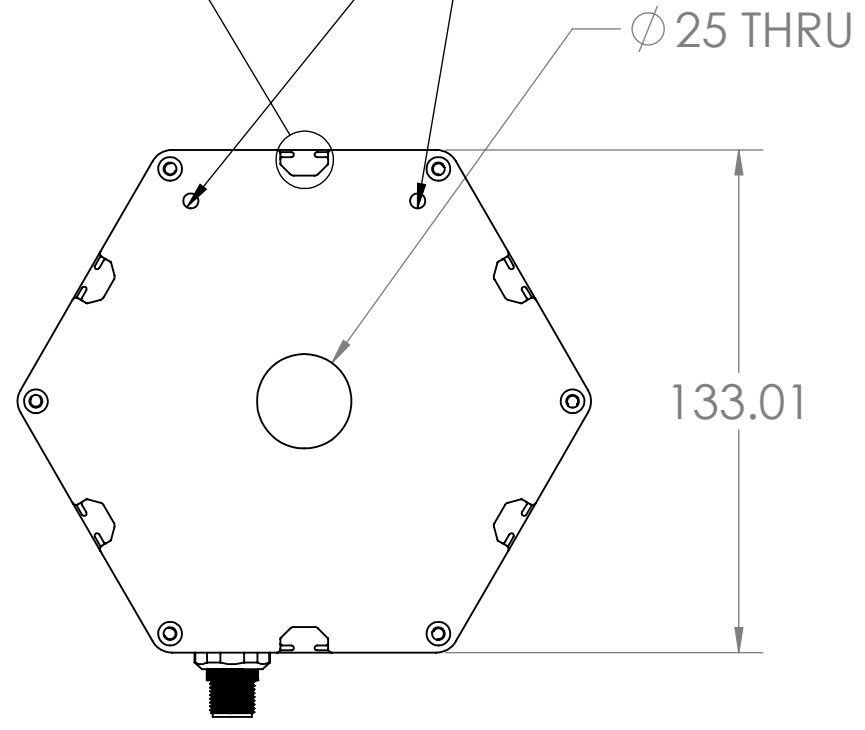
3

2

1



CAMERA BRACKET MOUNTING



B

B

A

A

| | | | |
|--------------------------------------|--|--------------------------|---------------|
| UNLESS OTHERWISE SPECIFIED: | | NAME | DATE |
| DIMENSIONS ARE IN MM | | DRAWN | ASU 9/11/2015 |
| TOLERANCES: | | CHECKED | MP 9/11/2015 |
| FRACTIONAL ± | | ENG APPR. | MP 9/11/2015 |
| ANGULAR: MACH ± BEND ± | | MFG APPR. | MP 9/11/2015 |
| TWO PLACE DECIMAL ± | | Q.A. | |
| THREE PLACE DECIMAL ± | | COMMENTS: | |
| INTERPRET GEOMETRIC TOLERANCING PER: | | UNITS ARE IN MILLIMETERS | |
| MATERIAL | | | |
| FINISH | | | |
| DO NOT SCALE DRAWING | | | |

PROPRIETARY AND CONFIDENTIAL
 THE INFORMATION CONTAINED IN THIS DRAWING IS THE SOLE PROPERTY OF SmartVisionLights. ANY REPRODUCTION IN PART OR AS A WHOLE WITHOUT THE WRITTEN PERMISSION OF SmartVisionLights IS PROHIBITED.



TITLE:
 SmartVisionLights.com

| | | |
|------------|----------------|--------------|
| SIZE | DWG. NO. | REV |
| B | DDL-100 | 2 |
| SCALE: 1:2 | WEIGHT: | SHEET 1 OF 1 |

4

3

2

1